

Maximize the Potential  
of your Outdoor Space



 **THOMPSON** | DIVISION OF  
ARCHITECTURAL PRODUCTS | AMERICAN MADE  
AWNINGS OF HOLLYWOOD  
THOMPSONARCHITECTURALPRODUCTS.COM 954-963-7717



Type 1	P. 5
Type 2	P. 9
Type 3	P. 11
Type 4	P. 15
Type 5	P. 24
Type 6	P. 29
Type 7	P. 39
Type 8	P. 40
Type 9	P. 41
Type 10	P. 44
Type 11	P. 45
Type 12	P. 49
Type 13	P. 58
Type 14	P. 59
Type 15	P. 60
Type 16	P. 61
Type 17	P. 62
Type 18	P. 63
<b>Diagrams</b>	
Type 1 + 2	P. 65
Type 3 + 4	P. 66
Type 5 + 6	P. 67
Type 7 + 9	P. 68
Type 8 + 10	P. 69







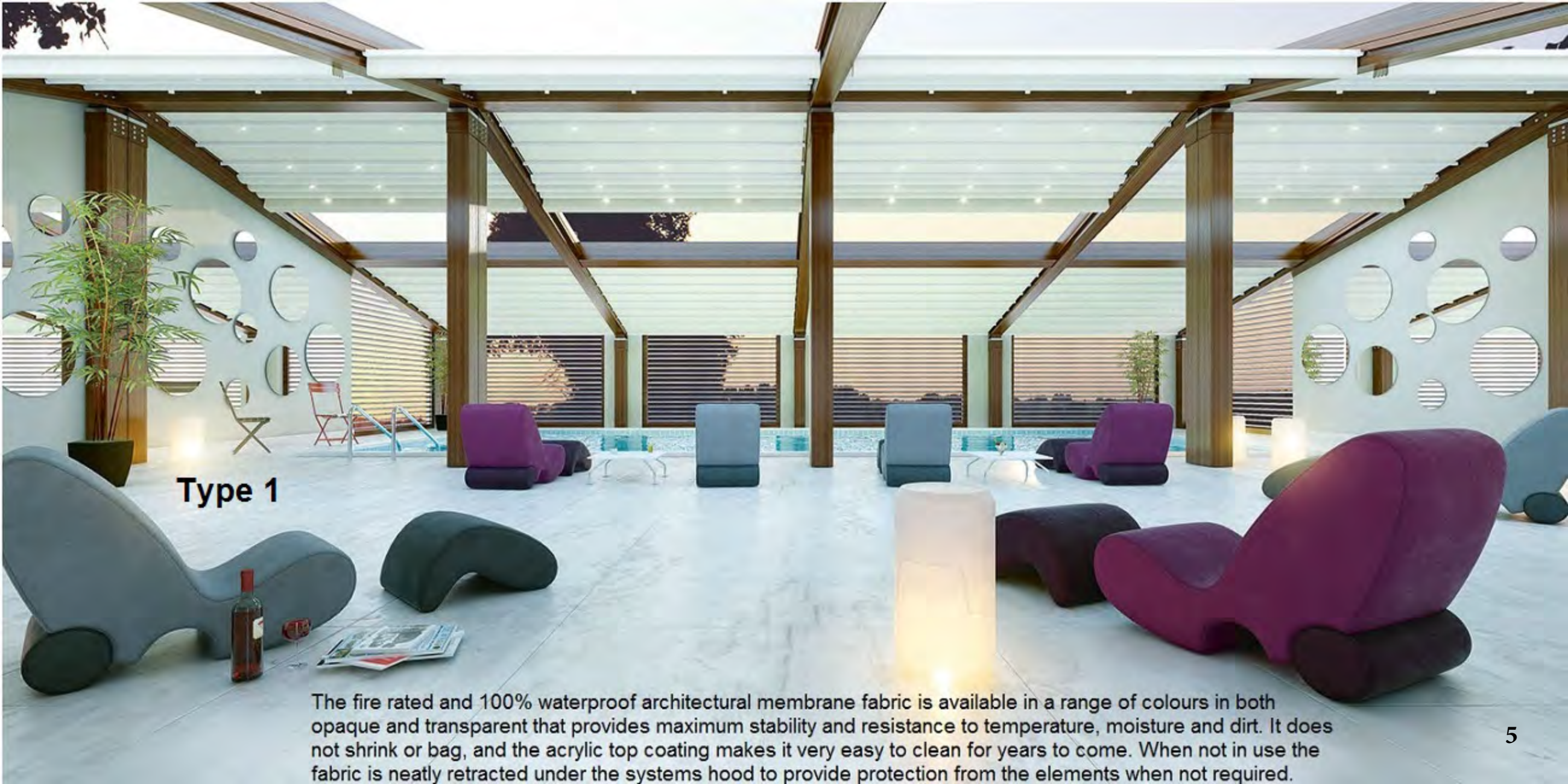
$$\frac{1}{2} \sqrt{b^2 + 16a^2} + \frac{b^2}{8a} \ln \left( \frac{a + \sqrt{b^2 + 16a^2}}{b} \right)$$



$$\int_0^p f(z) dz = \int \frac{1}{(z^2 + 1)^2} dz = \int \frac{z+1}{(z-1)^2} dz$$

With the range of architectural retractable pergolas and roof systems available that are suitable for use in any weather conditions. We have a large range of residential and commercial applications. From a retractable pergola for your backyard, courtyard or deck to a custom made roof system to meet the needs of a restaurant, bar, or commercial project. There is a model or design to meet your needs.





**Type 1**

The fire rated and 100% waterproof architectural membrane fabric is available in a range of colours in both opaque and transparent that provides maximum stability and resistance to temperature, moisture and dirt. It does not shrink or bag, and the acrylic top coating makes it very easy to clean for years to come. When not in use the fabric is neatly retracted under the systems hood to provide protection from the elements when not required.





Custom coated finishes available for structure and multiple color options for materials. LED-TEC integrated lighting (optional)





Remote controlled motorization is provided by utilizing European technology through a custom built direct drive motor system to ensure smooth and quick operation at 34RPM. The optional hi powered LED-TEC lighting system provides a practical touch of class and when coupled with a remote dimming controller allows the user to change the mood to suit the surrounding environment.





Remote controlled motorization is provided by utilizing European technology through a custom built direct drive motor system to ensure smooth and quick operation at 34RPM. The optional hi powered LED-TEC lighting system provides a practical touch of class and when coupled with a remote dimming controller allows the user to change the mood to suit the surrounding environment.






Type 2

Retractable Pergola System with 15 foot projection with rafter profiles    Integrated LED lighting solution (optional)









Retractable pergola system 21 foot max projection with 3.25 inch conveyor rafter profiles (Integrated front gutter).

The retractable pergola system provides the user with a designer outdoor covering to allow outdoor areas to be used all year round in any weather. The system offers a wind rating up to 74MPH and is designed to stand up to even the worst of conditions rain, hail, or shine. The system is manufactured to size using high grade 6063 extruded aluminium profiles finished with powder coating which provides superior overall performance for exterior product applications. All bolts, screws, and pins are high grade stainless steel to ensure extended system life.

### **Type 3**





The retractable pergola system provides the user with a designer outdoor covering to allow outdoor areas to be used all year round in any weather. The system offers a wind rating up to Beaufort class 11 (Up to 72 mph) and is designed to stand up to even the worst of conditions rain, hail or shine.

The system is manufactured to size using high grade 6063 extruded aluminium profiles finished with thermosetting powder coating which provides superior overall performance for exterior product applications. All bolts, screws and pins are high grade stainless steel to ensure extended system life.









Fire rated 100% waterproof fabric in array of colors.







Retractable pergola system 30 foot max projection with 4 inch conveyor rafter profiles (Integrated front gutter optional). **Type 4**





The rafter profiles have been designed with unique water guard side channels and rafter profiles to allow for projections up to 30 feet per system. Widths are customized according to site requirements and available in any width size up to 39 feet. The system offers up to 1400 square feet of protection at the touch of a button but when required linking of multiple systems is possible and made easy by the storm channel joining system that ensures 100% waterproof joints every time. The system also includes an integrated gutter system with internal drainage to carry away even the heaviest rain.





Night View Integrated LED-TEC lighting





Perfect all weather solutions for rain, hail or shine in domestic, hospitality or commercial applications.



Projections up to 30 Feet without support







The heart of the system is driven by multiple F3 eight wheel slider carriages (each F3 has a load limit of 1300 lbs) that incorporates a triple layer barrier system and works in conjunction with a timing belt that has been reinforced with multiple internal stainless steel cables to provide a pulling strength of over 1400 lbs. It is this tension that is applied to the fabric membrane to allow an angle of 6 degrees of slope to ensure all water drains into the internal gutter system.





Pergola with  
Integrated rain gutter  
system (optional)





Integrated LED-TEC lighting (optional)





Retractable curved pergola system, curved conveyor rafters with max 24 ft projection with 3.25 inch conveyor rafter profiles (integrated front gutter).

**Type 5**





The curved retractable pergola system provides a modern outdoor covering system to allow outdoor areas to be used in even the worst of weather conditions. The system offers a wind resistance up to 72 MPH. It is designed to stand up to the worst conditions of rain, hail, or shine.

To ensure the highest level of protection our systems come standard finished with Stormguard Soft Touch edge seal on all parameters. Stormguard provides the ultimate protection against rain and draught intrusion around the outside of the system and is available on our systems. Stormguards Soft Touch edge seal is produced from a soft and flexible rubber to ensure the best possible protection from the elements.





Integrated LED-TEC  
Lighting (optional)











Night View halfway





Night View Expanded  
Integrated LED-TEC  
lighting (optional)





**Type 6**

**Night View Split Retraction**

Retractable Self Standing Curved pergola system with curved conveyor rafters, have a max projection of 30 feet with 3.25 inch conveyor rafter profiles (integrated front and rear gutters).





The curved free standing retractable pergola system provides an advanced solution to enable outdoor areas to be used in all weather conditions. The system offers a wind rating up to Beaufort class 11 (Up to 72 mph) and is designed to stand up to even the worst of conditions rain, hail or shine.

The system is manufactured to size using high grade 6063 extruded aluminium profiles finished with thermosetting powder coating which provides superior overall performance for exterior product applications. All bolts, screws and pins are high grade stainless steel to ensure extended system life.









Projections up to 30ft without support

Remote controlled motorization is provided by utilizing European technology through a custom built direct drive motor system to ensure smooth and quick operation at 34RPM. The optional hi powered LED-TEC lighting system provides a practical touch of class and when coupled with a remote dimming controller allows the user to change the mood to suit the surrounding environment.







Night View Partial  
Open with LED-TEC  
lighting (optional)





















Type 7

Maximum Projection of 11.5 feet





**Type 8**

Projection up to 11.5 feet





**Type 9**

Projection up to 18 feet with fabric widths of 39 feet





Perfect all weather solution for rain, hail, or shine in domestic or commercial applications.









**Type 10**

Up to 18 foot projections with single fabric widths up to 39 feet.





**Type 11**

Maximum Projection of 60 feet with fabric widths up to 39 feet maximum

















**Type 12**

Projection of up to 48 feet and single fabric widths of up to 39 feet.













Option to add side walls, panels, doors









Wind rating up to 72 MPH

















**Type 13**

Projections up to 36 feet with single fabric widths of up to 39 feet. Integrated LED-TEC lighting (optional).





**Type 14**

Projection of up to 36 feet. Aerofoil Louvers with integrated LED-TEC Lighting (optional).





**Type 15**

Projection up to 21 feet fabric widths of to 13.5 feet. LED-TEC lighting (optional)





**Type 16**





**Type 17**

Projection up to 24 feet with fabric widths up to 30 feet.



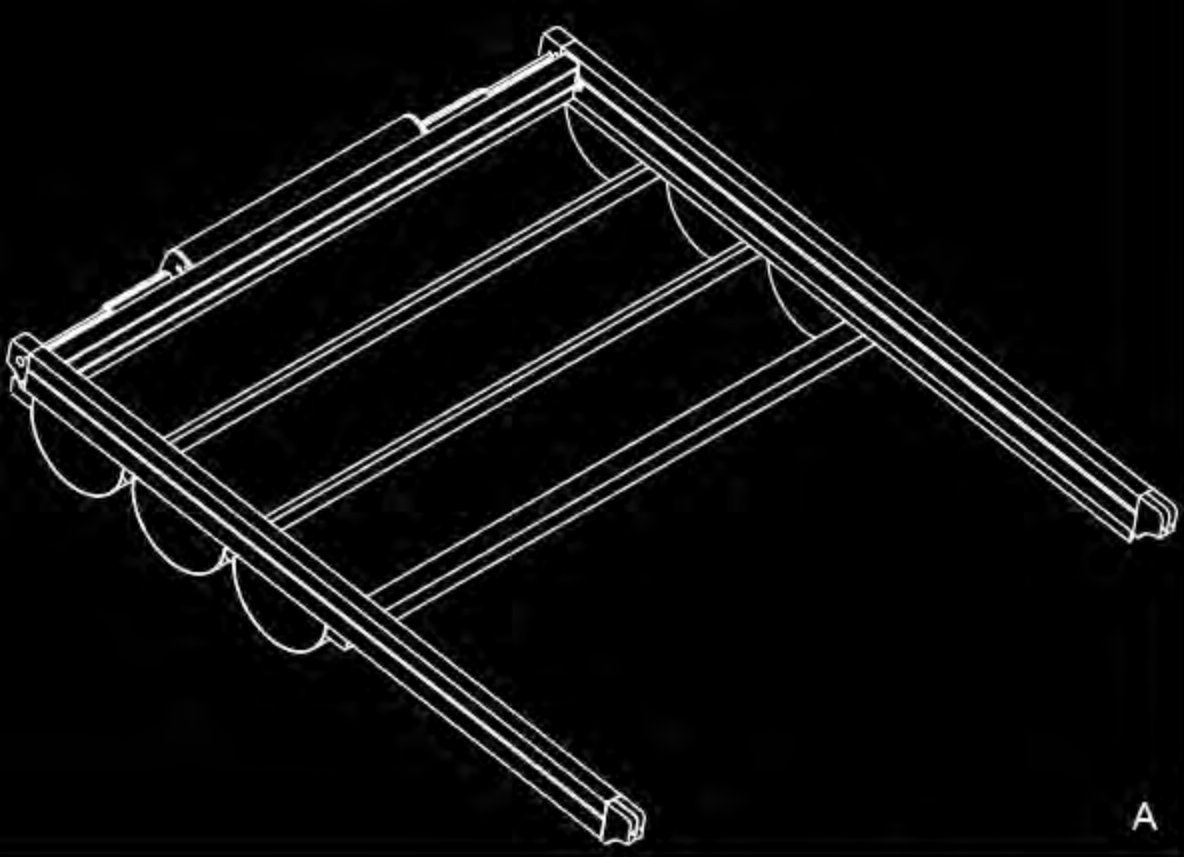


**Type 18**







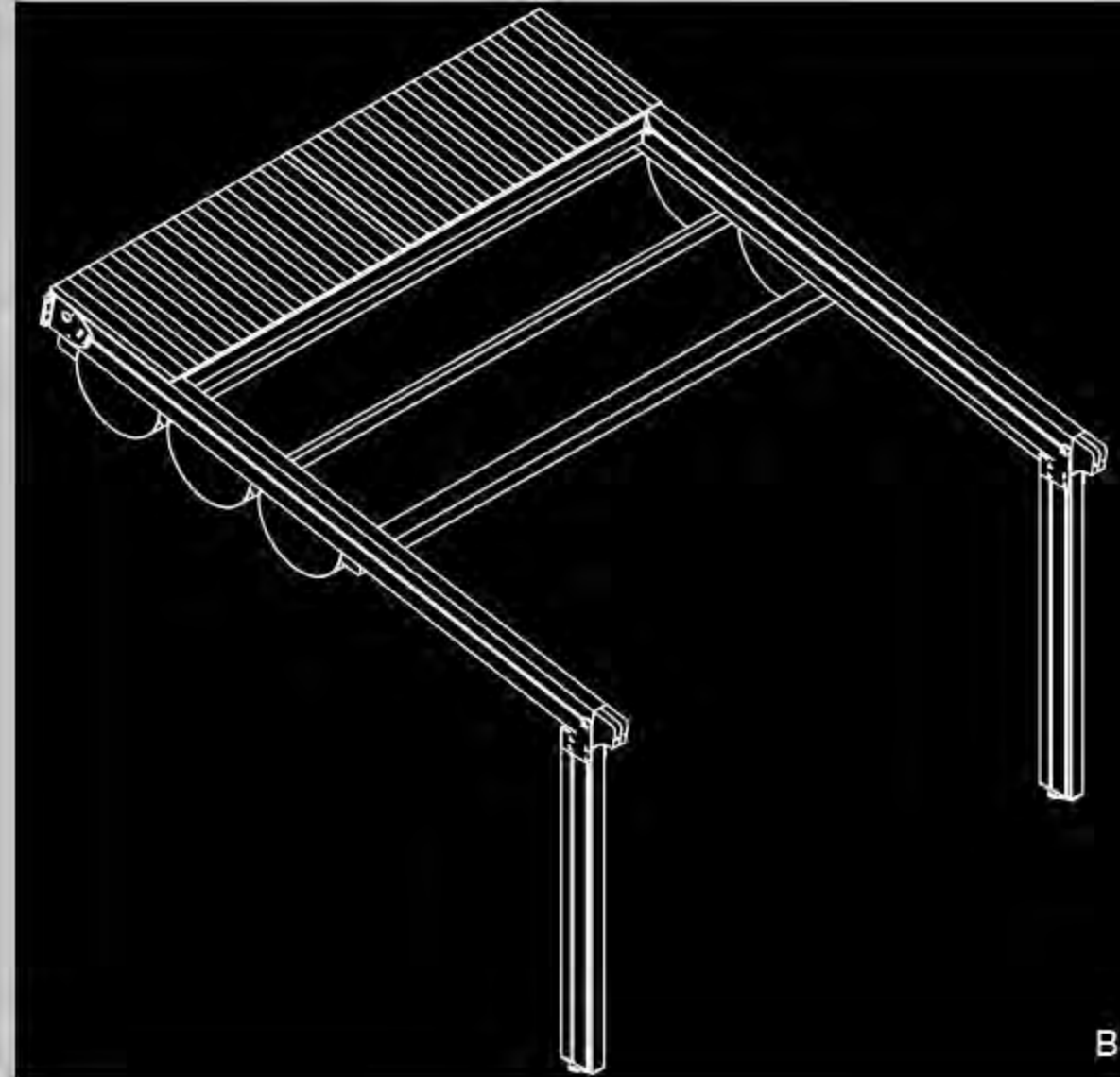


A

**A: Type 1**  
**B: Type 2**

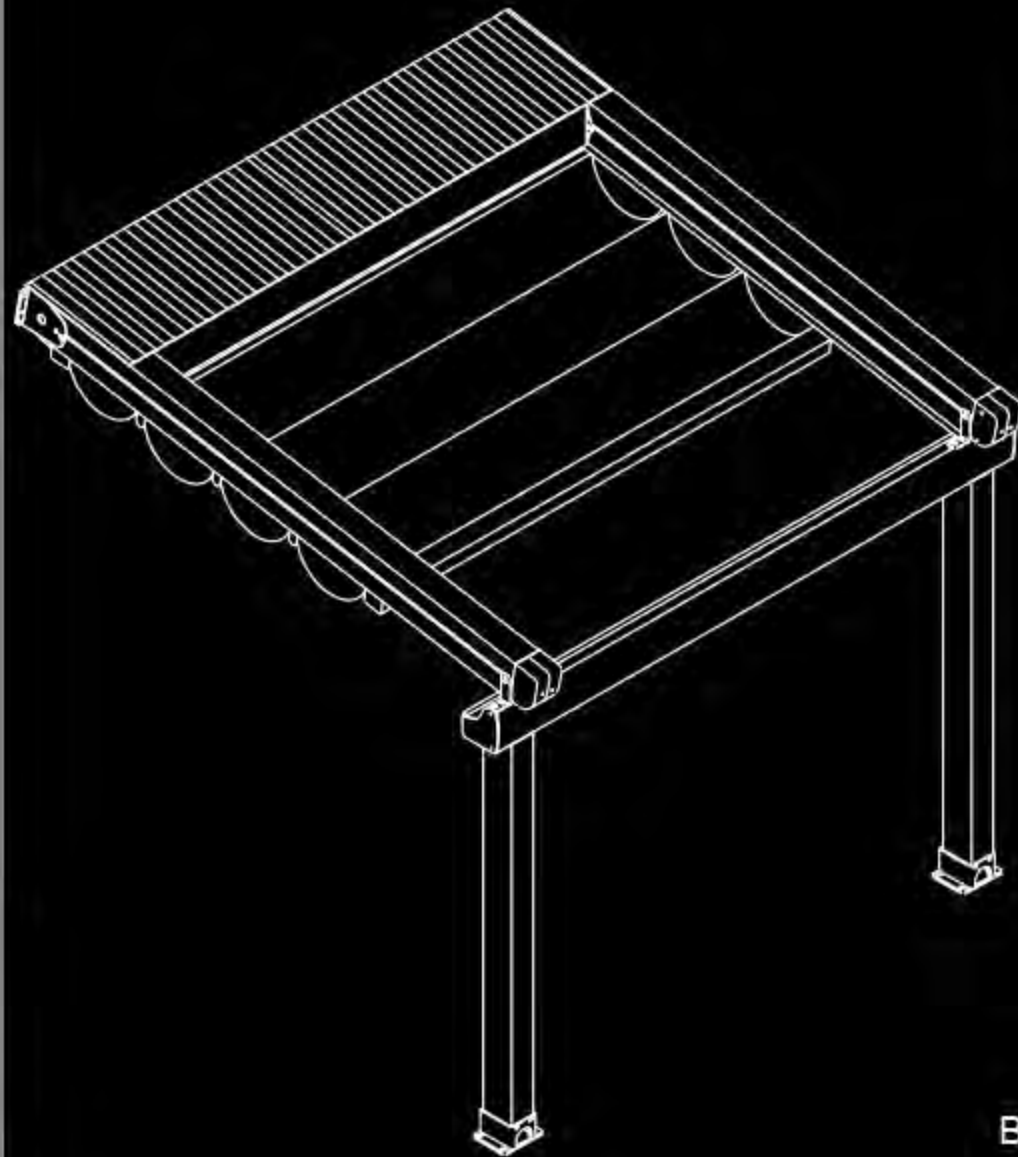
A: Maximum projection up to 30 feet with single fabric widths up to 39 feet.

B: Maximum Projection up to 15 feet with single fabric widths up to 39 feet.



B



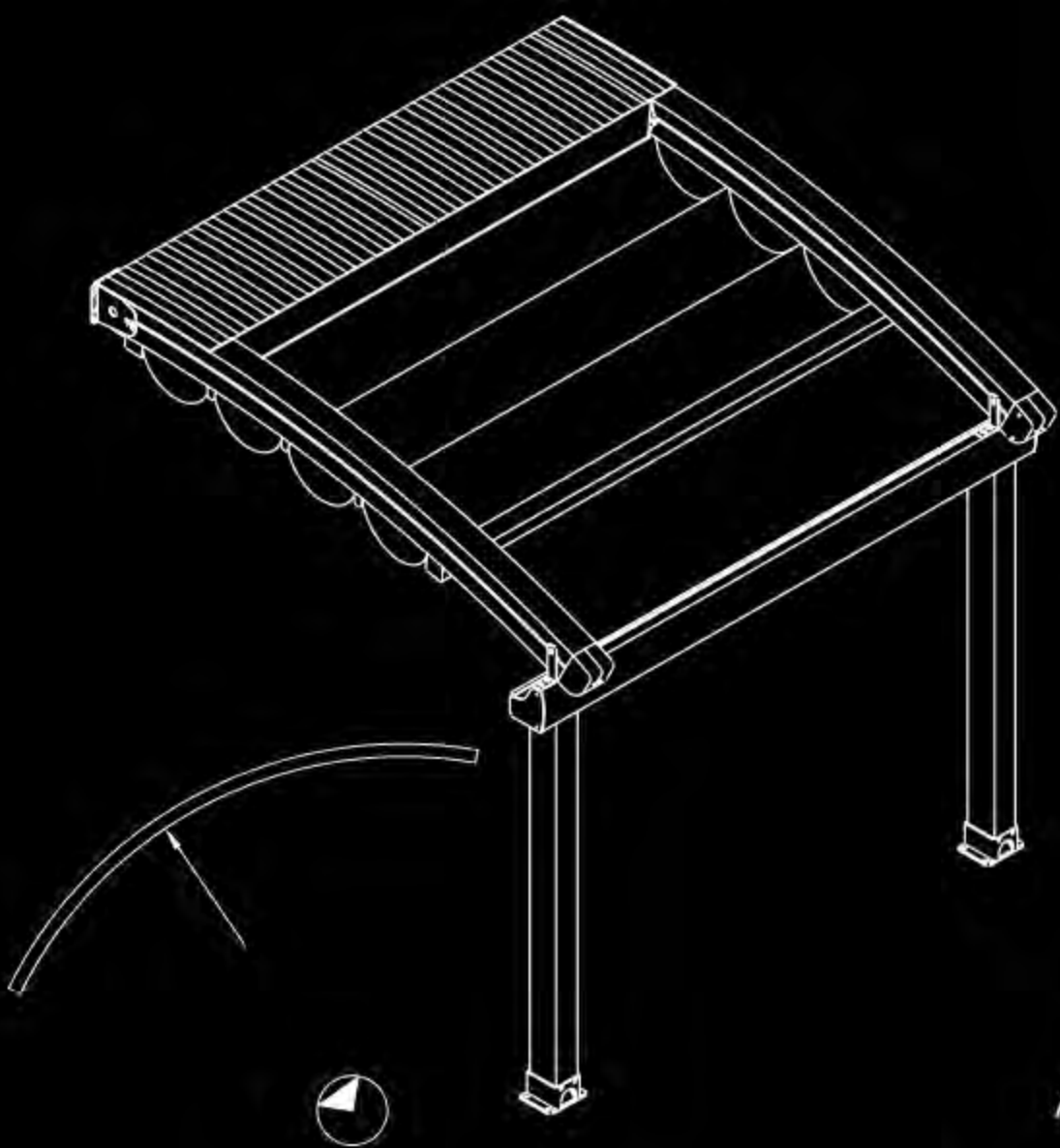


A: Straight roof with square cap end with projection up to 21 feet with single fabric widths up to 39 feet.

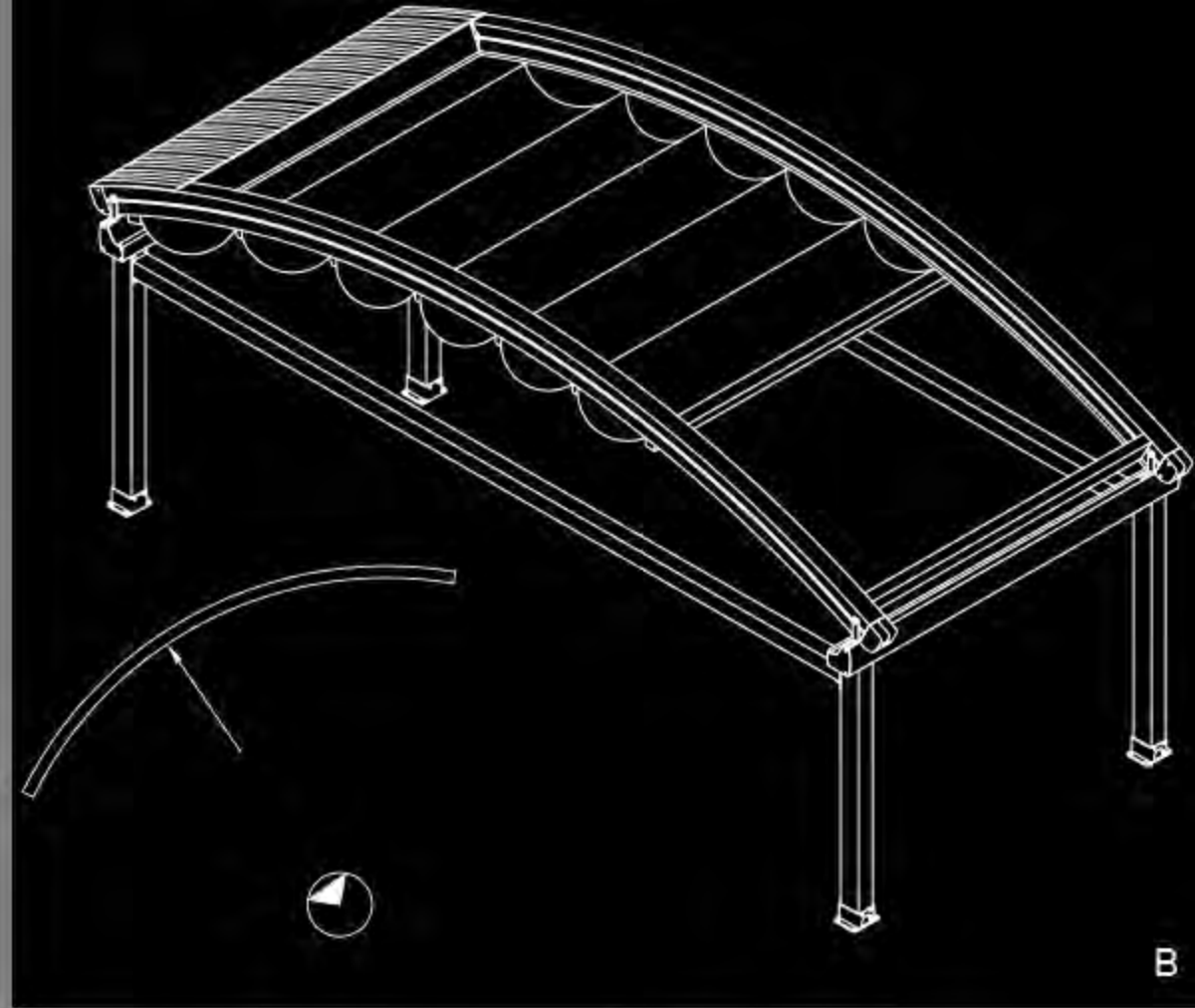
B: Straight roof with curved cap end with projection up to 30 feet with single fabric widths up to 39 feet.

**A: Type 3**  
**B: Type 4**





A



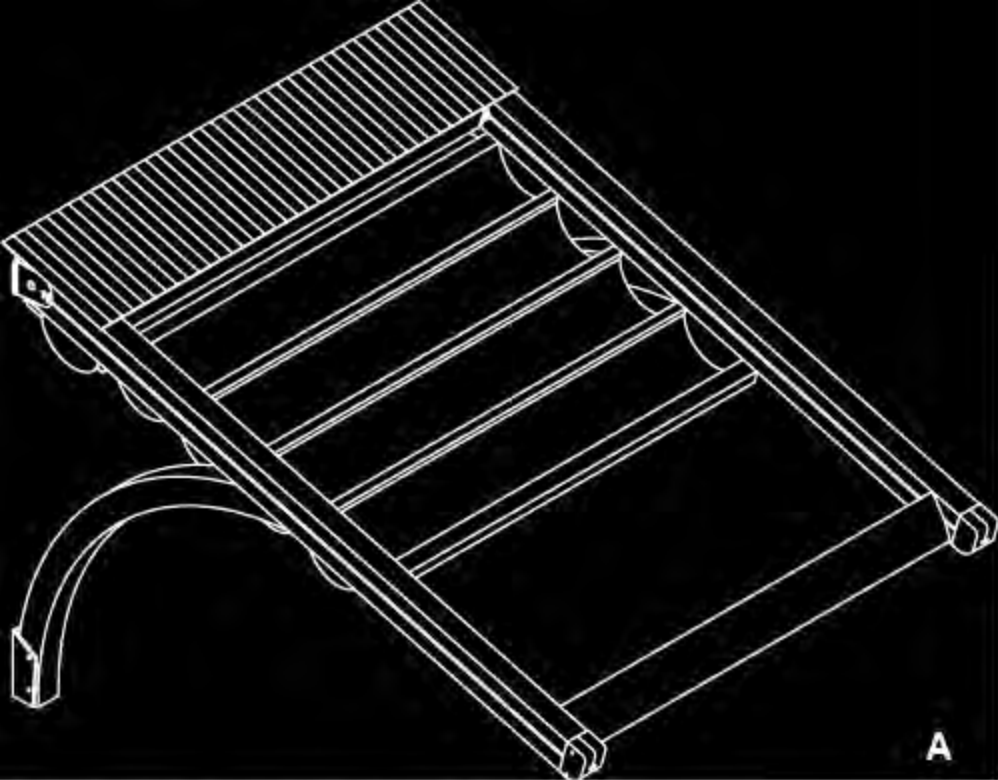
B

A: Curved Roof 2 post offset design with projection up to 24 feet and single fabric widths up to 39 feet.  
 B: Curved Roof 4 post design with offset retractable with projection up to 30 feet and single fabric widths up to 39 feet.

**A: Type 5**

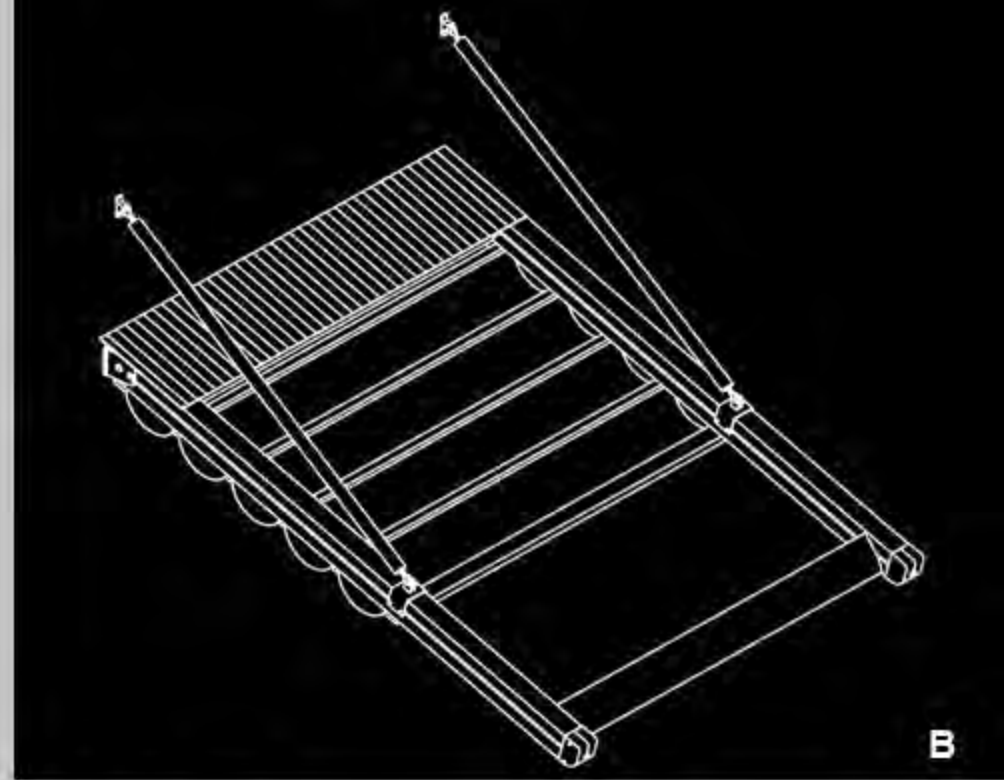
**B: Type 6**





A: Straight roof with projection up to 11.5 feet and single fabric widths up to 14.5 feet.

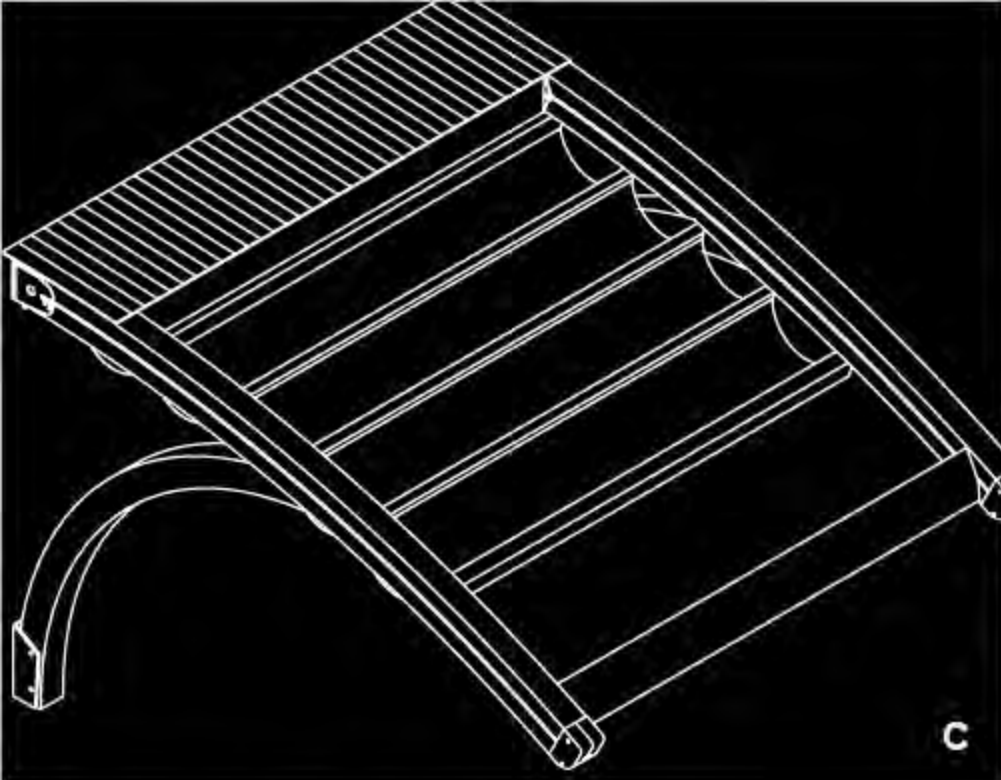
B: Straight roof with projection up to 18 feet and single fabric widths up to 39 feet.



**A: Type 7**

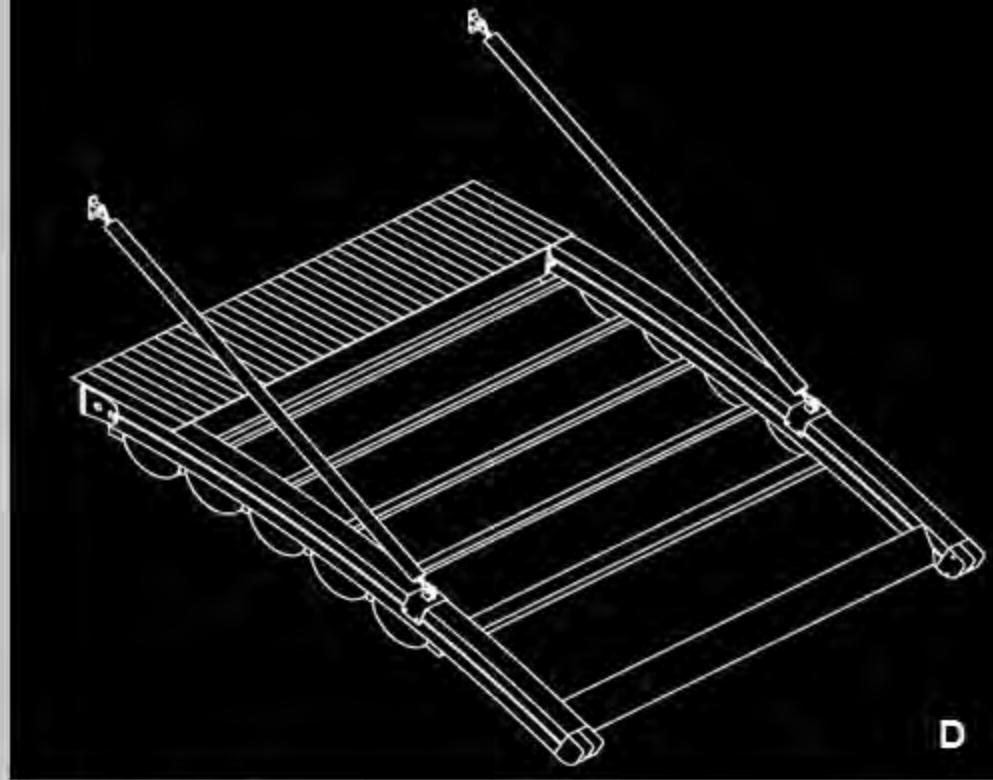
**B: Type 9**





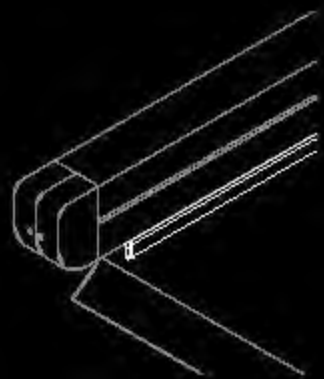
C: Curved roof with projections up to 11.5 feet and single fabric widths up to 14.5 feet.

D: Curved roof with projection up to 18 feet with single fabric widths up to 29 feet.

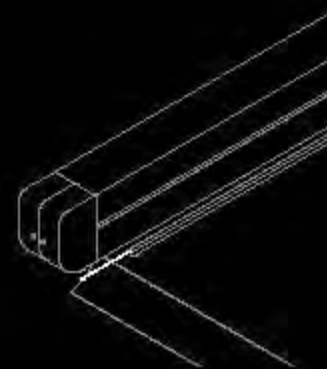


**C: Type 8**  
**D: Type 10**

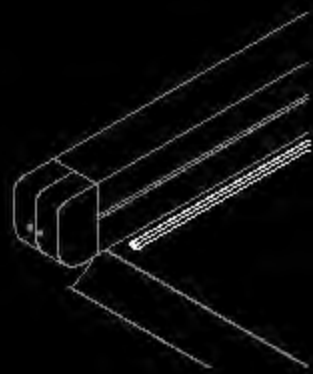




Rafter Stormguard edge seal



Fabric anti-drop edge cord with electrical cable

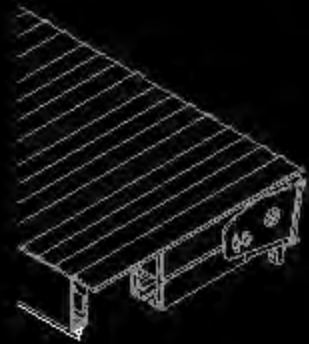


Fabric anti-drip edge cord



Gutter Stormguard seal

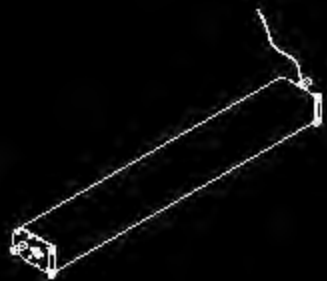




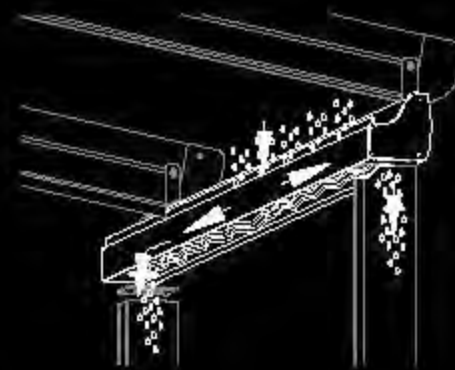
Hood Stormguard seal



F3 eight wheel slider

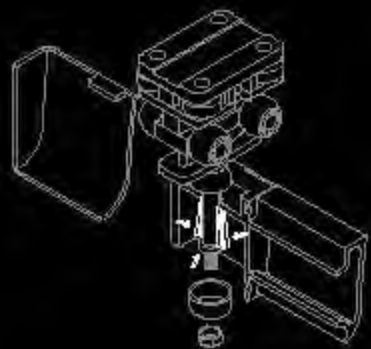


Compact 34 rpm direct drive motor box

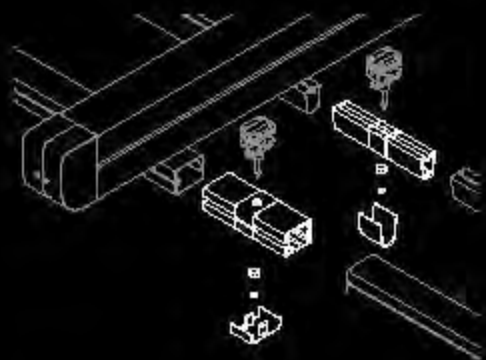


Integrated gutter & internal drainage system



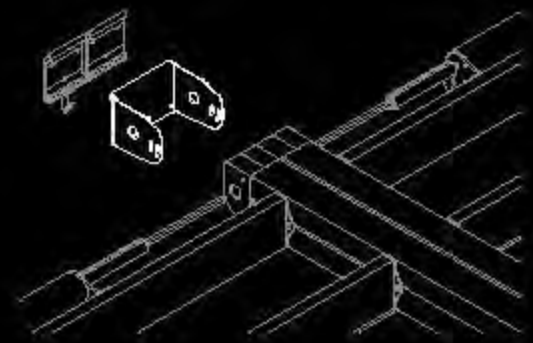


F3 slider easy clip installation

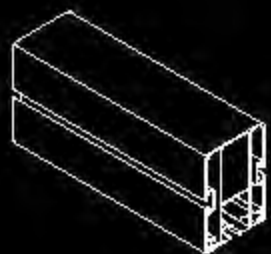


Easy clip intermediate joints (for 2 & 3 module systems)

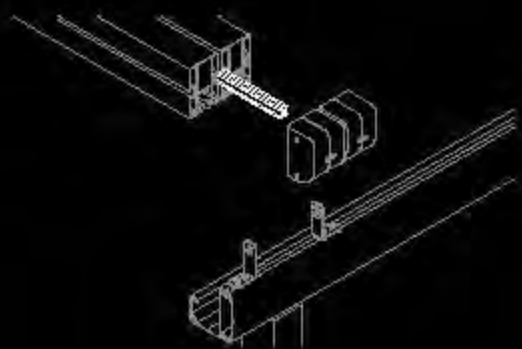




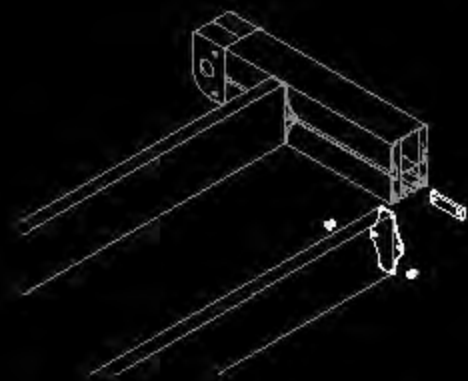
Double rafter wall bracket kit



Rafter profile with water guard side channels

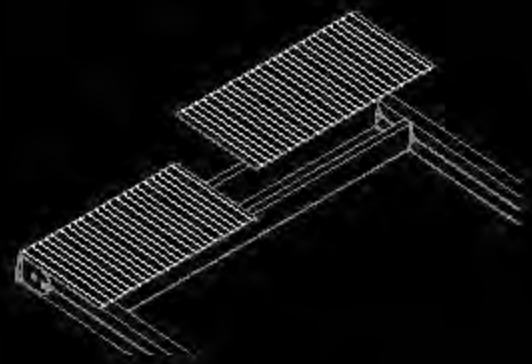


Storm channel for joining system



Motorbox support & hood support profile  
easy installation

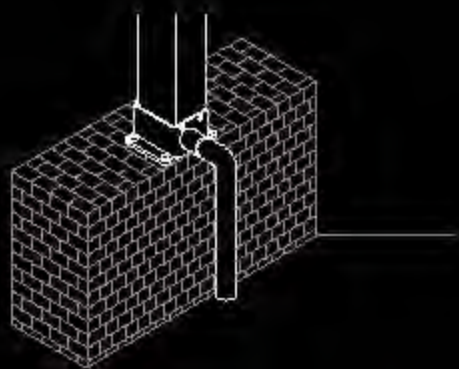




Hood profile sheets

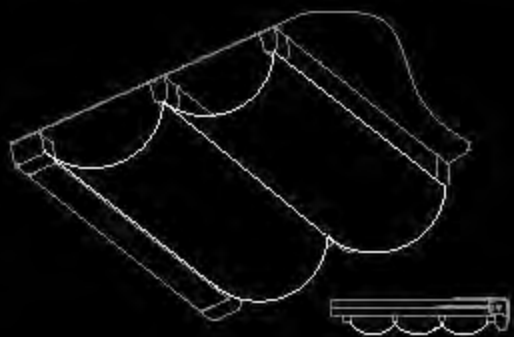


Aerofoil louvres



Base plate with external spout

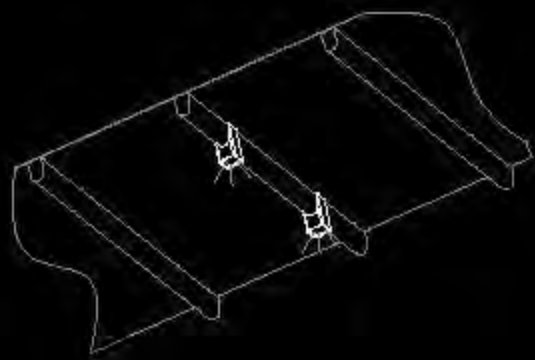




Decorative fabric under layer



LED-TEC dimmer setup



LED-TEC high powered lighting





**Serving the continental United States,  
Canada and the Caribbean**

**We make ordinary environments,  
extraordinary**

**Architectural Metal Structures  
Metal Canopies and Roofs  
Retractable Roof Systems  
Solar Shades  
Weather Curtains  
Entry Awnings and Canopies  
Walkway Covers  
Carpports  
Parking Covers  
Metal Trellises  
Metal and Glass Railings**

**Window and Door Awnings  
Cabanas  
Gazebos  
Tension Structures  
Patio Awnings  
Retractable Awnings  
Umbrellas  
Folding Shade Awnings  
Decorative Bahama Shutters  
Airfoil Sunshades  
Louvered Roof Systems**

